

DIGITAL CONFIGURATION for 8410

Network and Telecommunications Services 1-541-346-6387 (x6-NETS)

Form 4c

Coordinator _____

Extension: _____

Department: _____

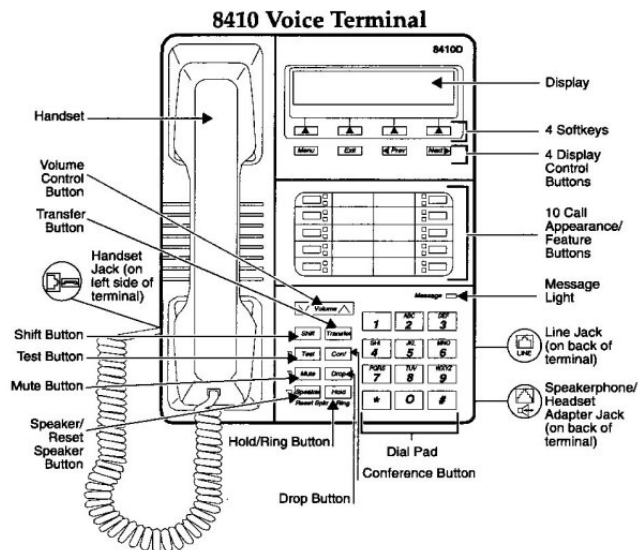
Action: PRIME EXT #: _____

If change only, just fill in the square that represents the button that is changing.

DISPLAY BUTTONS ARE PROGRAMMED FOR STANDARD FEATURES

Module Base Buttons:

	Prime #		Dept #
1	<input type="text"/>	6	<input type="text"/>
2	<input type="text"/>	7	<input type="text"/>
3	<input type="text"/>	8	<input type="text"/>
4	<input type="text"/>	9	<input type="text"/>
5	Send Ext	10	<input type="text"/>



Buttons 1 - 5 = Prime Extension Numbers

Buttons 6 - 10 = Department Extension Number Or Optional Features

Optional Features:

- Call Pick Up
- Last # Dialed
- MW (Message Waiting)
- PAD (Priority Abbreviated Dial)
- TB/AD (Terminal Busy Indicator with Abbreviated Dialing)
- Transfer to Voice Mail

Note: The Avaya 8610 has been discontinued and has been replaced with the Avaya 2420

Instructions on filling out this form: <http://telecom.uoregon.edu/forms/forms.html>